

CONSOLE CONNECTOR KIT 8444 INSTALLATION INSTRUCTIONS

FOR USE WITH: HAMMOND Organ Models A100, M100, E100
LESLIE Speaker Models 125, 225, 145, 147, 247

KIT CONTENT

Console Connector Assembly	016352	Echo
Control		
Adapter, 7 to 5	062091	brown 011882
Cable Assembly, 6-conductor,		ebony 011890
30-foot	017277	ivory 011908
Hardware Package	016535	
Screw, wood, 6 x 1/2,		Tremolo Control
Phillips head (4)	029124	brown 024976
Screw, sheet metal,		ebony 024984
8 x 1/2, Phillips head (2)	029132	ivory 024992
Staple, insulated (6)	028464	
Wire nut (8)	028076	Oiler 053025

CAUTION: Due to the presence of electrical potential and the danger of moving mechanical parts, installation procedures or adjustments requiring work inside the LESLIE speaker cabinet or the organ console should be performed only by a service man authorized by the dealer or factory to perform such work.

INSTALLATION

CAUTION: DISCONNECT ORGAN POWER BEFORE PROCEEDING!

A100, M100 INSTALLATION

1. Attach the echo and tremolo controls to the wooden rail in front of the lower manual with the black oxide screws provided. Use the two mounting holes which best center the screws in the rail.
2. Remove the organ back and pass the control cables into the console by the following method:
Clip the red and green interceptor plugs and sockets off the echo control cable and strip the wires 3/8". Push a small screwdriver over the felt dust seal between the lower manual and the knee panel. Push the cables through this opening into the console. From the back of the console, reach behind the tone generator and pull the cables through.
3. Pass the switch cables through the slot in the rear edge of the shelf and into the lower compartment.

4. Position the console connector near the power amplifier so that the power and control cables will reach. Install it with the wood screws provided.
5. Cut the green lead which connects the amplifier output to the main speakers. (A & B on figures 1 & 2) Remove 3/8" of insulation from each of the cut ends. Connect the amplifier end of this lead to the red lead from the echo control with a wire nut. Connect the speaker end of the lead to the green lead from the echo control. (B on figures 1 & 2)
6. Disconnect the reverberation input lead (green) from the main speakers. Strip and connect it to the orange lead from the echo control with the wire nut provided. (C on figures 1 & 2)
7. Detach the "hot" lead (gray or blue) from the reverberation speaker terminal, strip it about 3/8", and connect it to the blue lead from the echo control with the wire nut provided.(D on figures 1 & 2)
8. Solder the yellow echo control lead to the "hot" reverberation speaker terminal. (E on figures 1 & 2)
9. **A100:** Connect the plug from the console connector into the 5-contact socket on the rear apron of the power amplifier chassis. (F on figure 1)
M100: Cut off the S-pin plug from the console connector and strip all three leads about 1/4". Solder the brown cord to the outside AC terminals under the metal cover on the lefthand side of the rear apron of the power amplifier. (F on figure 2) Fasten the red lead to any convenient ground point on the amplifier chassis. (F on figure 2)
10. Connect the brown lead from the echo control to the short, single, brown lead* from the console connector, with the wire nut provided. (G on figures 1 & 2)
11. Connect the black lead from the echo control to the black lead from the console connector, with the wire nut provided.(H on figures 1 & 2)
12. Connect the brown double wire from the tremolo control to the short, double, brown wire from the console connector, with the wire nuts provided. (I on figures 1 & 2)
13. Connect the speaker cable between the LESLIE speaker and the socket on the console connector.
14. Set LESLIE speaker load resistor to the OPEN position (M100) or to the 8-ohm position (A100). Then adjust the LESLIE speaker volume control.
15. Replace the organ back. Installation is now complete.

*Use care to distinguish between the short brown lead and the short black lead.

NOTE: Either installation: (A100 or M100) If, after making all the required connections, there is reverb feedback or no reverb, reverse the yellow and blue contacts at D and E (steps 7 and 8).

E100 INSTALLATION

1. Attach the echo and tremolo controls to the wooden rail in front of the lower manual with the black oxide screws provided. Use the two mounting holes which best center the screws in the rail.
2. Remove the organ back. Remove the knee plate under the lower manual, and pass the control cables into the console through this opening. Cut a small notch in the edge of the knee plate to accommodate the cables; then replace the plate.
3. Pass the switch cables through the slot in the rear edge of the shelf into the lower compartment.
4. Position the console connector near the power amplifier so that the power and control cables will reach. Install it with the wood screws provided.
5. Remove the green speaker plug from the chassis socket on the left-hand apron of the power amplifier. (A on figure 3) Fit this plug into the green interceptor socket on the echo switch cable, and fit the interceptor plug into the chassis socket.
6. Remove the red speaker plug from the chassis socket on the left apron of the power amplifier. (B on figure 3) Fit this plug into the red interceptor socket on the echo switch cable; then connect the red interceptor plug to the red chassis socket. Fold back the orange wire attached to the echo switch and insulate it with electrical tape. It is not used in this installation.
7. Connect the plug from the console connector to the 062091 adapter and insert the adapter into the 7-contact socket on the rear apron of the amplifier chassis. (C on figure 3)
8. Connect the brown lead from the echo control to the brown lead from the console connector with the wire nut provided. (G on figures 1 & 2)
9. Connect the black lead from the echo control to the black lead from the console connector with the wire nut provided. (H on figures 1 & 2)
10. Connect the brown wire from the tremolo control to the short wires on the console connector with the wire nuts provided. (I on figures 1 & 2)
11. Plug the speaker cable into the 6-contact socket on the console connector.
12. Set LESLIE speaker load resistor to the OPEN position. Then adjust the LESLIE speaker volume control

13. Replace the organ back. Installation is now complete.

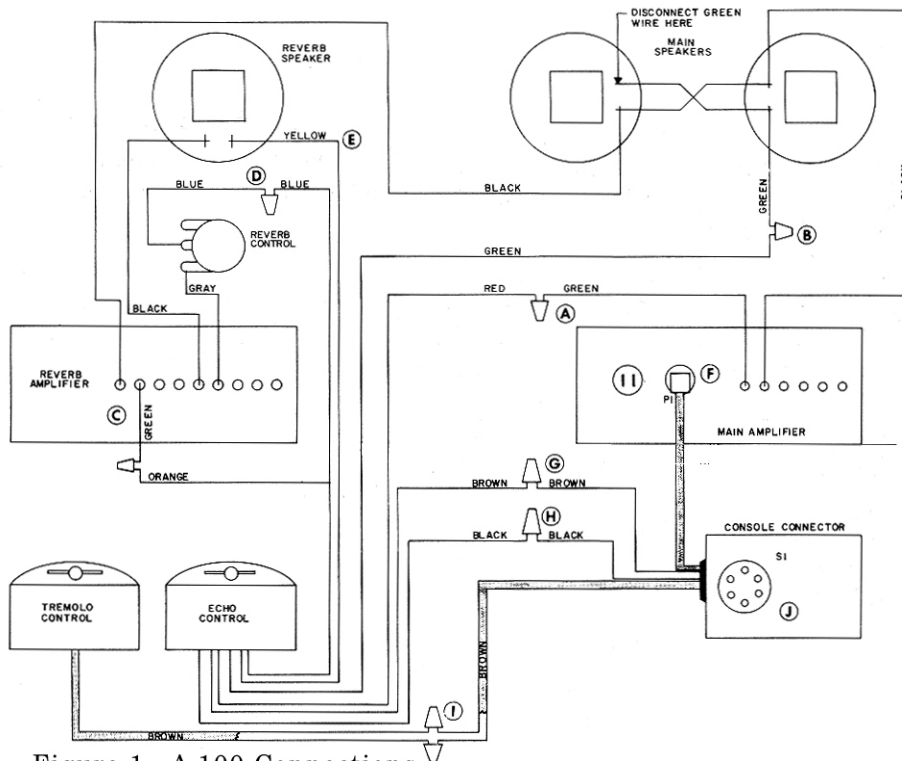


Figure 1 A 100 Connections

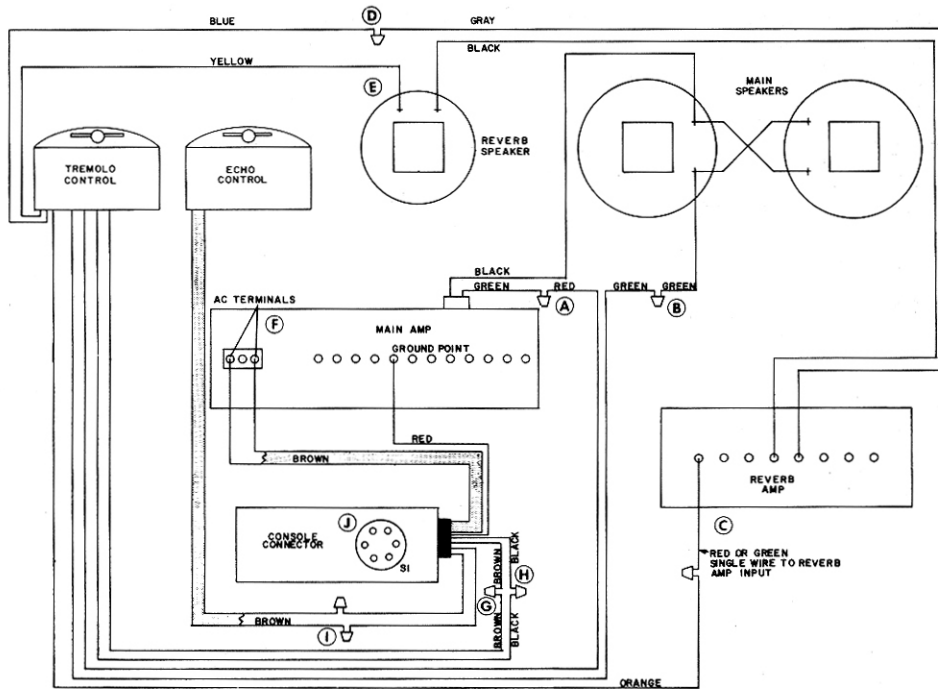


Figure 2 M 100 Connections

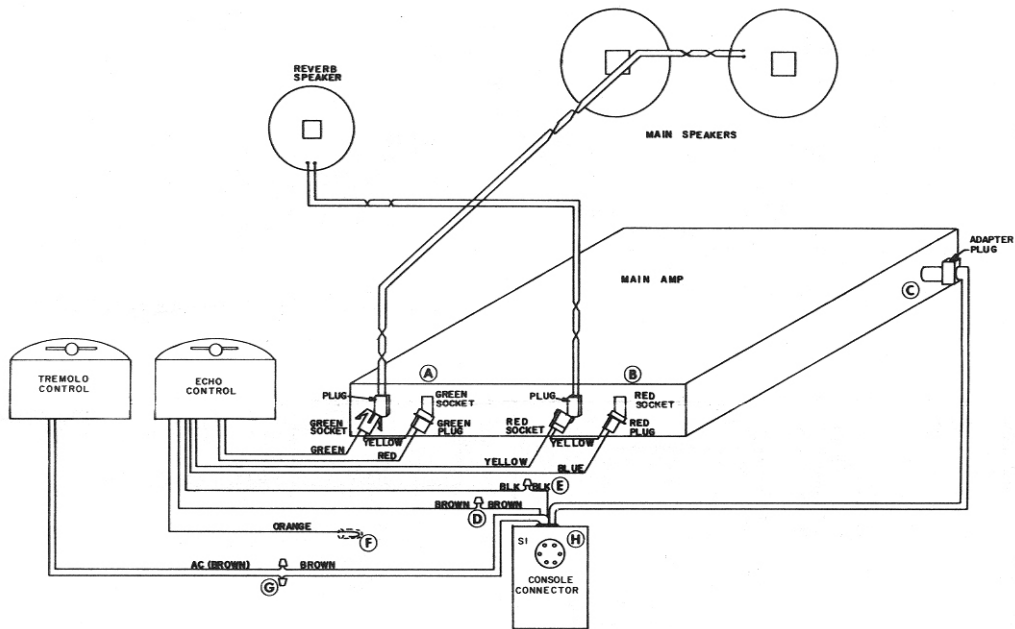


Figure 3. E100 Connections

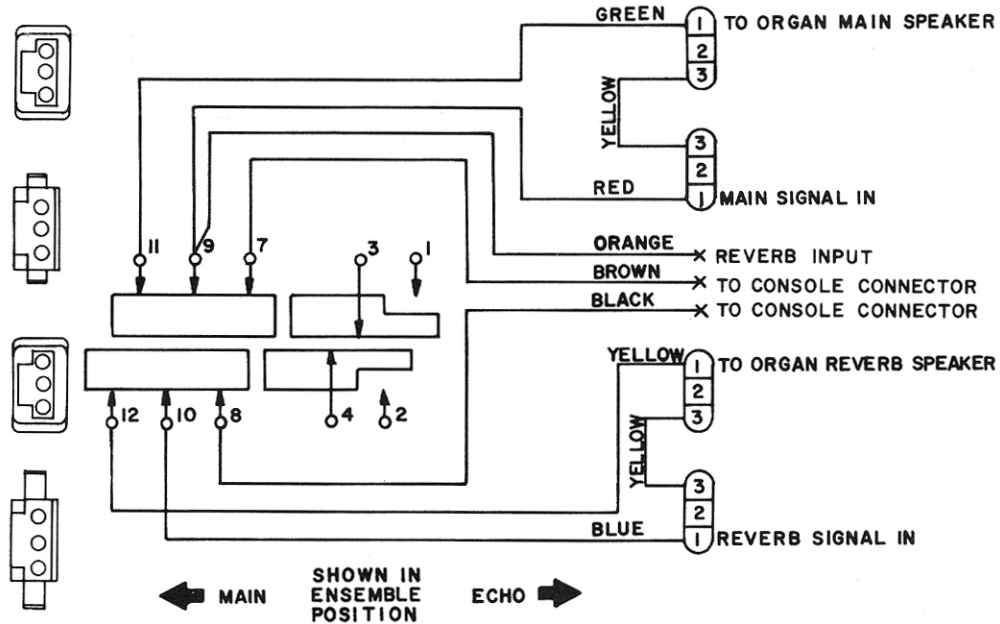
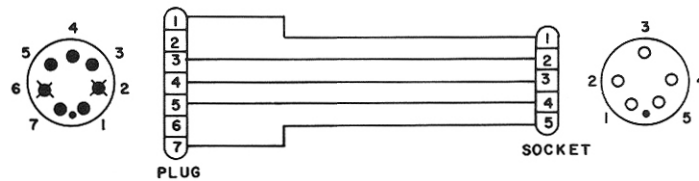


Figure 4. Schematic, Echo Control 011882
(Plugs and Sockets Shown from Wire End)

Interceptor, sleeve	029272
Plug, 7-pin	024752
Socket, 5-contact	029264



Schematic, 062091 Adapter
(Plug and Socket Shown from Wire End)

Ordering Parts

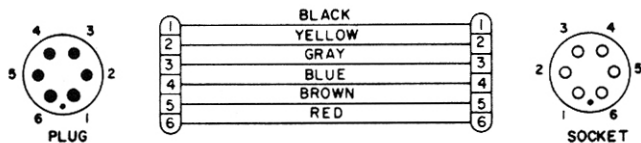
Standard hardware, connectors, and electronic components should be purchased locally. Non-standard items may be obtained through a LESLIE speaker dealer. Orders should include part numbers as listed.

PARTS LIST: 016352 CONSOLE CONNECTOR ASSEMBLY

Cable and Plug Assembly (P1)	016295
Socket, 6-contact (S1)	030775
Capacitor, .01mfd, 1000V, 10% (C1)	060467
Resistor, 47-ohm, 1/2W, 10% (R1, R2)	016311
Resistor, wire-wound, 8-ohm, 10W, 10% (R3, R4)	010934

PARTS LIST: 017277 CABLE ASSEMBLY

Plug, 6-pin	061721
Socket, 6-pin	029546
Cap Body	022046
Clamp, cut	022079
Screw, machine, 6-32 x 3/8	027979



(Plug and Socket Shown from Wire End)

PARTS LIST: ECHO CONTROL

Switch Case		Switch, Cable, Plug	
brown	103750	Assembly	016584
ebony	103760		
ivory	103770	Switch Retainer (2)	048116
Case Cover			
brown	048702	Screw, thread-cutting,	
ebony	048710	6 x 3/8 (2)	029140
ivory	048728		
Switch Knob		Label, MAIN/ENSEMBLE/ECHO	103670
brown	048066		
ebony	048074	Cork, adhesive	029157

PARTS LIST: TREMOLO CONTROL

Switch Case		Switch, Cable, & Plug	
brown	103750	Assembly	060079
ebony	103760		
ivory	103770	Switch Retainer (2)	048744
Case Cover			
brown	048702	Screw, thread-cutting,	
ebony	048710	6 x 3/8 (2)	029140
ivory	048728		
Switch Knob		Label, CHORALE/TREMOLO	103640
brown	048066		
ebony	048074	Cork, adhesive	029157

MULTIPLE SPEAKER INSTALLATION

For complete information see the service manual for the LESLIE speaker to be added.

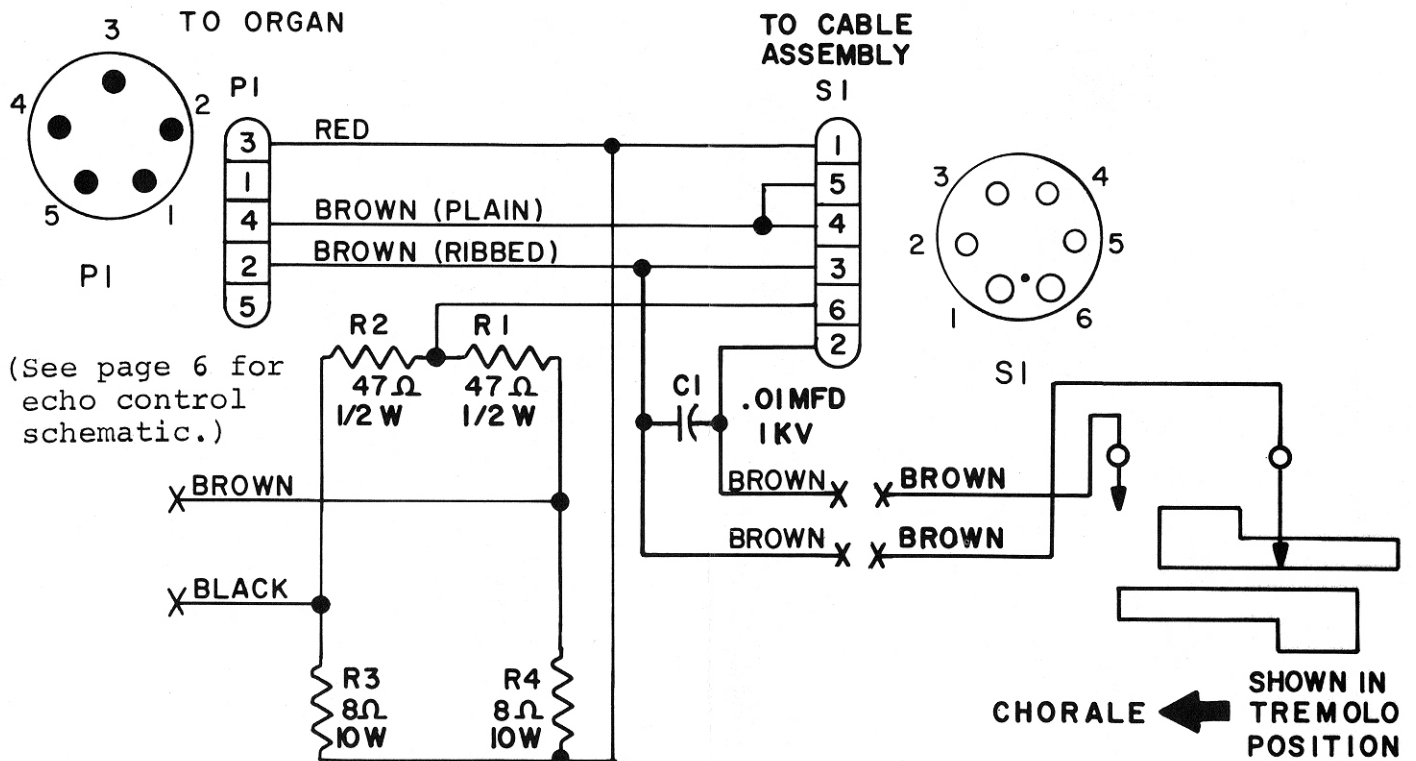


Figure 5. Schematic, Console Connector 016352 with Tremolo Control (Plug and Socket Shown from Wire End)