

## LESLIE CONSOLE CONNECTOR KIT 8400 INSTALLATION INSTRUCTIONS

FOR USE WITH: LESLIE Speaker Models: 122, 122RV, 222, or 222RV  
in conjunction with HAMMOND Speaker

HAMMOND Organ Models: A, B, C, D, E, RT, BV, CV

**MULTIPLE SPEAKER INSTALLATION:** For complete information, consult the owner's manual of the LESLIE speaker to be added.

### KIT CONTENTS:

1	018432	Console Connector	1	Tremolo Control
1	048082	7 Pin Adapter	015594	brown
1	048090	8 Pin Adapter	015602	ebony
1	053025	Oiler	015610	ivory
1	017277	6 Conductor Cable Assy.		
1	030825	Echo Control Assy. (4H)	1	Echo Control
4	029124	Wood Screws, #6 x 1/2" Blk Oxide	032243	brown
4	029132	Screws, #8 x 1/2"	032250	ebony
11	028464	Insulated Staples	032268	ivory
1	035634	Installation Instructions		
1	010322	Cap w/Cut Clamp 1-5/32" dia.		
1	029546	Socket, 6 Contact		
1	031948	Socket Retainer Ring		
7	010439	Spade Lugs		
6	028076	Wire Nuts		

### TO INSTALL:

1. Detach Hammond back cover.
2. Mount the console connector and echo control chassis within tone generator compartment near Hammond preamplifier. Use the four cadmium plated screws provided in hardware package.
3. Mount echo and tremolo switch cases to wooden rail in front of the lower keyboard. Use the four black oxide wood screws from the hardware package.
4. Pass echo and tremolo control cables from switch to inside of organ in one of the following ways:
  - a. Slip a small screwdriver over the felt dust seal between the lower manual and the knee panel. Pass cord through this opening into the organ. From rear of organ, reach behind tone generator and pull cable into organ interior.
  - b. Run cables along the corner where the knee panel and the end of the organ join. Then run cables under the tone generator compartment to the back. Cut a small notch in the edge of the bottom shelf. Pass cables into organ interior.

5. Twist together stripped ends of tremolo control cable and AC type wires from console connector. Secure with two wire nuts provided in hardware package. (See "A" on Fig. 1.)
6. Twist together the stripped ends of matching colored wires from echo switch and echo control chassis. Secure with four wire nuts from hardware package. **MATCH WIRE COLORS** (See "B" on Fig. 1.)  
NOTE: The proper echo control chassis wires to use are partially encased in a brown jacket and do not have wire lugs.
7. Remove cover from Hammond Junction Box (the receptacle housing the external Hammond speaker socket).
8. Install 6-contact socket from hardware package in one of the vacant cutouts in the Hammond junction box. Secure socket with socket retainer ring provided in hardware package. (See "C" on Fig. 1.)
9. Use jumper wires to connect AC and ground terminals from existing 5-contact Hammond external speaker socket to AC and ground terminals on the newly installed 6-contact socket. Insulate all connections with electrical tape. See Fig. 1 for correct wiring. Don't forget to run jumper wires through cap provided in hardware package before completing connections.
10. Push cap onto rear of 6-contact socket.
11. Connect ends of two wires (not supplied) to contacts 1 and 6 at rear of 6-contact socket. (See "D" on Fig. 1.)
12. Strip opposite ends 3/8" and crimp two wire lugs from hardware package to them. Attach wires to the two screw terminals on the console connector. (See "E" on Fig. 1.)
13. Detach the red and black wires from "G-G" terminals on Hammond preamp. Attach wires to MAIN terminals on echo control chassis. (See "F" on Fig. 1.) These are the signal wires for the Hammond external speaker, which is now switched on and off by the LESLIE echo control switch.
14. Connect yellow wire from console connector to GND terminal on Hammond preamplifier. (See "G" on Fig. 1.)  
NOTE: On newer Hammond models, "G-G" terminals are solder lugs. If this is the case, cut off the wire lugs and solder wires to "G-G" terminals.
15. Connect red and black wires from console connector to ECHO terminals on echo control chassis. (See "H" on Fig. 1.)
16. a. HAMMOND A, B, C, D, E, BV, CV, Installations: Attach brown wire from console connector directly to the B+ terminal on Hammond preamplifier.

- b. HAMMOND B-2, C-2, RT-2 Installations: Attach brown wire from console connector to black wire from 8 pin B+ adapter supplied. (See "J" on Fig. 1.) Cover connection with electrical tape. Remove the 6X5 rectifier tube from its preamp socket. Plug 8 pin adapter into this socket; then plug 6X5 rectifier tube into the adapter. (See "K" on Fig. 1.)
- c. HAMMOND B-3, C-3, RT3 Installations: Attach brown wire from console connector to black wire of the 7 pin miniature B+ adapter supplied. (See "J" on Fig. 1.) Insulate connection with electrical tape. Remove the 6X4 rectifier tube from its preamp socket. Plug 7 pin adapter into this socket; then plug 6x4 rectifier tube into the adapter. (See "K" on Fig. 1.)
17. Attach red, black, yellow, and blue wires from echo control chassis to "G-G" terminals on Hammond preamplifier. (See "L" on Fig. 1.)
18. Connect speaker cables to the external speakers and the Hammond junction box. (See "M" on Fig. 1.)
19. Adjust volume controls of Hammond and LESLIE speakers as explained in their owner's manuals. Replace Hammond back cover. Installation is complete.

INSTALLATION: 8400 KIT

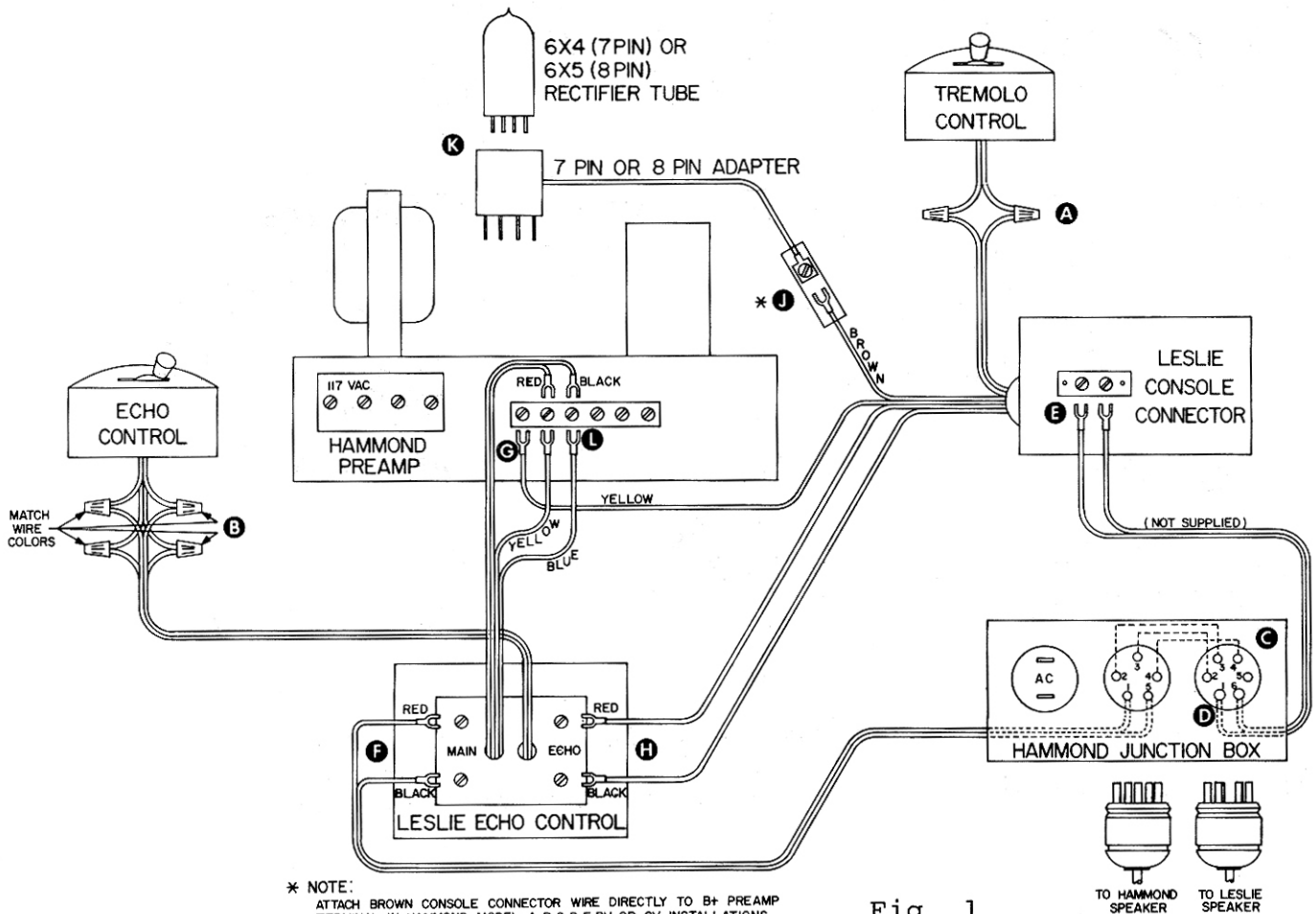


Fig. 1

PARTS LISTS:

018432 CONSOLE CONNECTOR

- R1 Resistor, 47K Ohm, 1 W, 10%
- R2 Resistor, 82K Ohm, 2 W, 10%
- R3 Resistor, 15K Ohm, 1/2 W, 10%
- C1 Capacitor, Elect., 10 Mfd, 250 V

030825 ECHO CONTROL ASSEMBLY (4H)

- 1-018853 Circuit Board
- 2-055319 1 Lug Terminal Strips
- 4-028373 Resistors, 820 Ohm, 1/2 W, 10% (R4, 5, 6, 7)

ECHO CONTROL

- Switch Case
  - 103750 brown
  - 103760 ebony
  - 103770 ivory
- Switch Case Cover
  - 048702 brown
  - 048710 ebony
  - 048728 ivory
- Switch Knob
  - 048066 brown
  - 048074 ebony
- Switch Retainer
  - 048116 (2 req'd.)
- Switch & Cable Assy
  - 035584
- Adhesive Cork
  - 029157
- Screw, T.C.F.,  
6-32 x 3/8"
  - 029140 (2 req'd.)

TREMOLO CONTROL

- Switch Case
  - 103750 brown
  - 103760 ebony
  - 012286 ivory
- Switch Case Cover
  - 048702 brown
  - 048710 ebony
  - 048728 ivory
- Switch Knob
  - 048066 brown
  - 048074 ebony
- Switch Retainer
  - 048744 (2 req'd)
- Switch & Cable Assy
  - 028704
- Adhesive Cork
  - 029157
- Screw, T.C.F.,  
6-32 x 3/8"
  - 029140 (2 req'd.)

ORDERING PARTS:

Standard hardware, connectors, and electronic components should be purchased locally. Non-standard items may be obtained through a LESLIE speaker dealer. Orders should include part numbers listed.

SCHEMATIC: 018432 CONSOLE CONNECTOR;  
 030825 ECHO CONTROL ASSY., ECHO AND TREMOLO CONTROLS

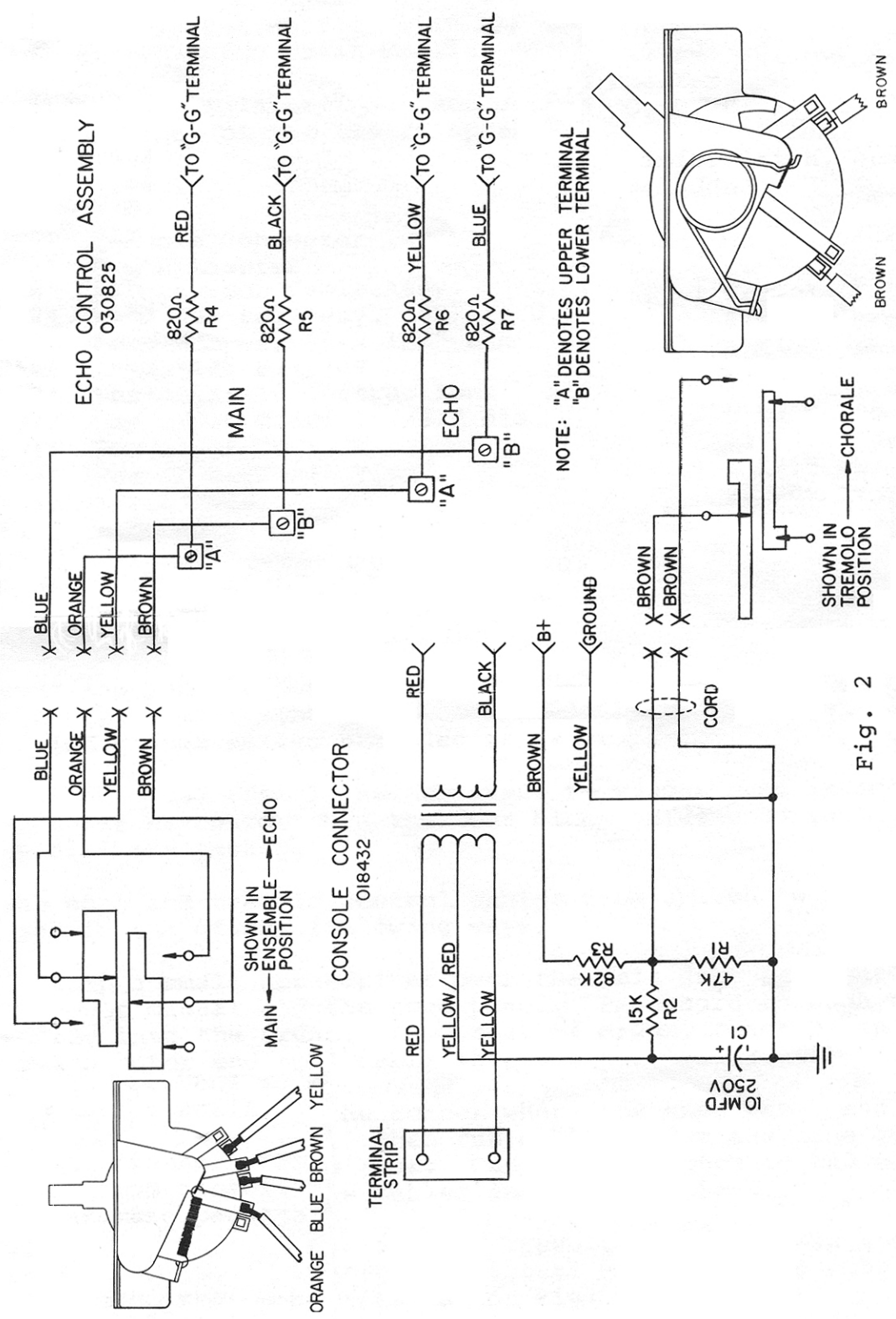


Fig. 2