

CONSOLE CONNECTOR KIT 8101 INSTALLATION INSTRUCTIONS

FOR USE WITH: HAMMOND Organ Models A-100, D-100, RT2, RT3
LESLIE Speaker Models 122, 122RV

KIT CONTENT

Console Connector Assembly	047357	Echo Control	
Console Connector Extension	047381	brown	032243
Hardware Package	047415	ebony	032250
Wire Nut (6)	028076	ivory	032268
Screw, wood, 6 x 1/2, Phillips head (4)	029124	Tremolo Control	
Screw, sheet metal, 8 x 1/2, Phillips head (4)	029132	brown	015594
Staple, insulated (7)	028464	ebony	015602
Oiler	053025	ivory	015610
		Cable Assembly, 6-conductor, 30-foot	017277

CAUTION: Due to the presence of electrical potential and the danger of moving mechanical parts, installation procedures or adjustments requiring work inside the LESLIE speaker cabinet or the organ console should be performed only by a service person authorized by the dealer or factory to perform such work.

INSTALLATION

CAUTION: DISCONNECT ORGAN POWER BEFORE PROCEEDING!

- 1.** Mount the echo and tremolo control switches under the keyboard shelf, in a position convenient for the organist.
- 2.** Route the control cables through the keyboard shelf and into the amplifier section of the organ. If no opening is provided, drill a 1-inch-diameter hole in the shelf, being careful to select a location where no internal component will be damaged.
- 3.** Using the wood screws provided, mount the console connector extension inside the organ, in the appropriate location:

D-100 Near the junction box, on the bottom shelf. (A, figure 1)

RT2, RT3 On the back of the knee panel, near the junction box. (A, figure 2)

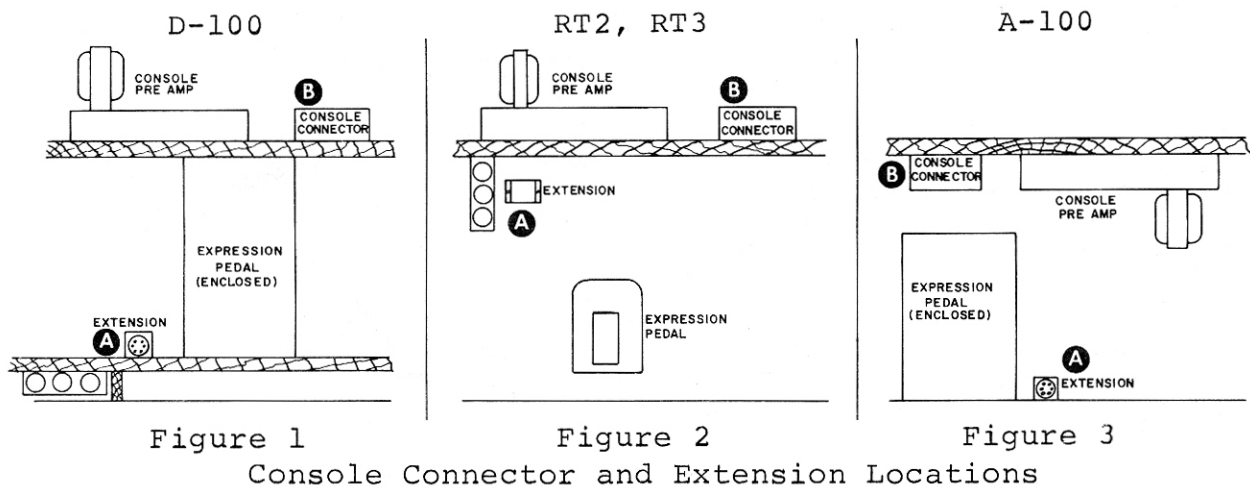
A-100 Near the amplifier on the bottom shelf. (A, figure 3)

- 4.** Mount the console connector

D-100, RT2, RT3 To the right of the pre-amplifier, on the tone generator support shelf. (B, figure 1,2)

A-100 To the left of the pre-amplifier, underneath the tone generator support shelf. (B, figure 3)

5. Connect the echo control wires to the matching orange, brown, yellow, and blue wires from the console connector, using wire nuts. (C, figure 4)
6. Connect the two tremolo control wires (brown) to the AC-type brown wires from the console connector. (D)
7. Connect the plug of the extension to the socket on the console connector. (E)
8. Connect the blue and gray wires from the console connector to the 117VAC terminals located behind a protective cover on the organ pre-amplifier. (F)
9. Connect the brown wire from the console connector to the GND terminal on the pre-amplifier. (G)
10. Remove the red and black wires which are attached to the two G terminals on the pre-amplifier. Connect them to the two screw-type terminals on the console connector chassis. (H)
11. Connect the red and black wires from the console connector to the G terminals. (J)
12. Connect the 6-conductor cable between the LESLIE speaker and the socket of the extension.
13. If necessary, adjust the volume of the LESLIE speaker.



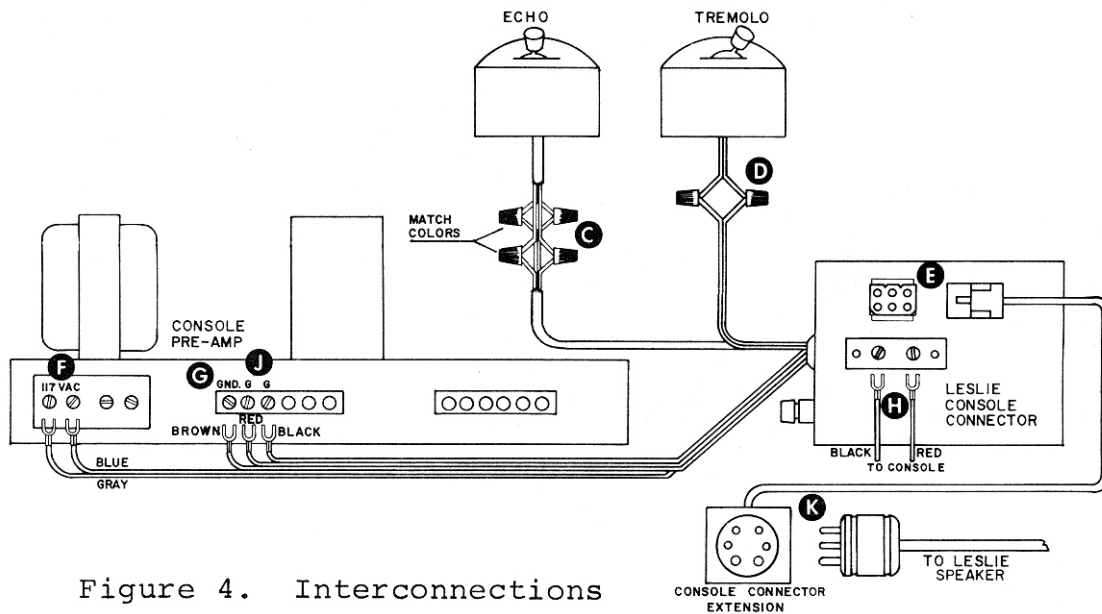
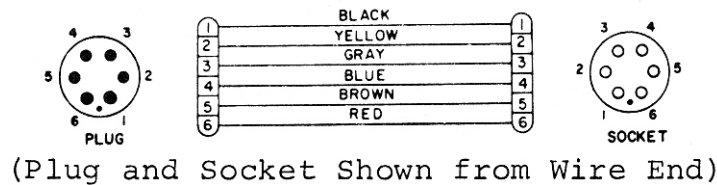


Figure 4. Interconnections



PARTS LIST: 047506 Circuit Board Assembly

Capacitor, 10 mfd, 250V (C1)	018093
Resistor, 820 ohms, 1/2W, 10% (R1, R2, R3, R4)	028373
Resistor, 15K, 1/2W, 10% (R5)	048157
Resistor, 150K, 1W, 10% (R6)	024117
Resistor, 47K, 1W, 10% (R7)	018457
Circuit Board, etched	044180

PARTS LIST: 017277 CABLE ASSEMBLY

Plug, 6-pin	061721
Socket, 6-pin	029546
Cap Body, right	130000
Cap Body, left	130010
Screw, sheet metal, 4 x 1/2, hex washer head	136360

Ordering Parts

Standard hardware, connectors, and electronic components should be purchased locally. Non-standard items may be obtained through a LESLIE speaker dealer. Orders should include part numbers as listed.

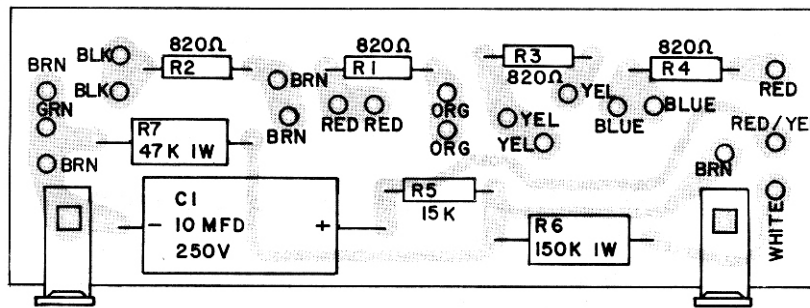


Figure 5. Circuit Board Assembly 047506

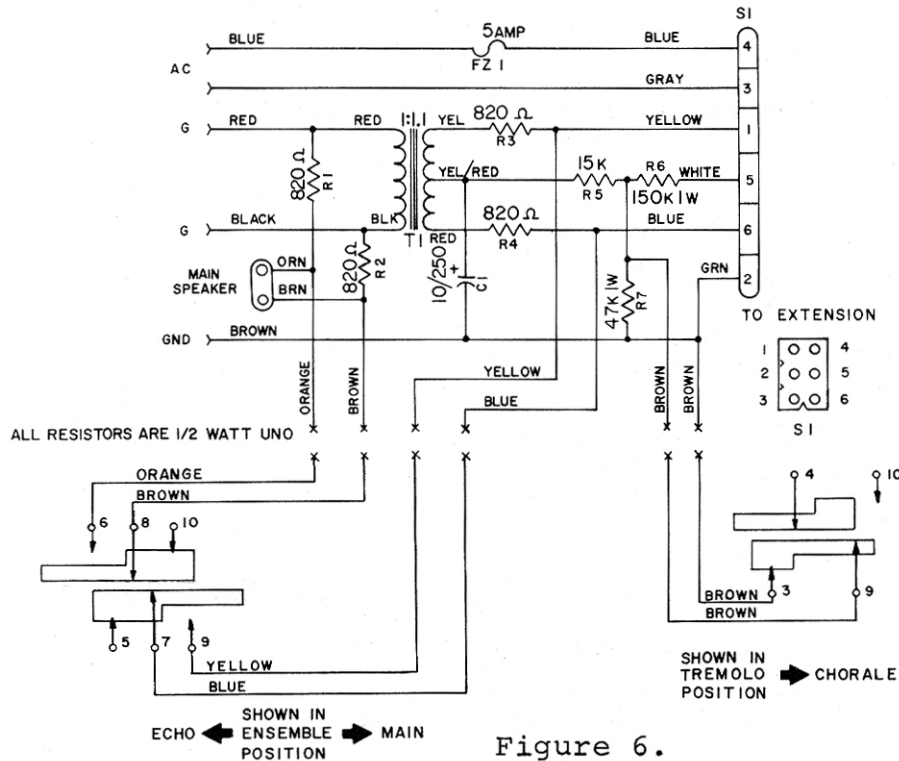


Figure 6.

Schematic, 047357 Console Connector and Controls (Socket Shown from Wire End)

PARTS LIST: CONSOLE CONNECTOR ASSEMBLY 047357

Circuit Board Assembly	047506
Housing, socket, 6-circuit	042119
Contact, insert, female (6)	023556
Fuse Holder	055178
Fuse, 5-amp	029280
Terminal Strip	034108
Transformer, isolation	048025
Screw, sheet metal, 8 x 1/4, Phillips head (2)	025635
Screw, machine, 6-32 x 3/8 (2)	027979

PARTS LIST: CONSOLE CONNECTOR EXTENSION 047381

Cable Assembly, extension	047670
Housing, plug, 6-circuit, natural	023259
Bushing, strain relief	037986
Screw, sheet metal, 12 x 3/8 (2)	029314

PARTS LIST: ECHO CONTROL

Switch Knob		Switch Case	
brown	048066	brown	103750
ebony	048074	ebony	103760
Switch and Cable Assembly	035584	ivory	103770
Switch Retainer (2)	048116		
Screw, thread-cutting,		Case Cover	
6-32 x 3/8 (2)	029140	brown	048702
Label, MAIN/ENSEMBLE/ECHO	103670	ebony	048710
Cork, adhesive	029157	ivory	048728

PARTS LIST: TREMOLO CONTROL

Switch Knob		Switch Case	
brown	048066	brown	103750
ebony	048074	ebony	103760
Switch and Cable Assembly	028704	ivory	103770
Switch Retainer (2)	048744		
Screw, thread-cutting,		Case Cover	
6-32 x 3/8 (2)	029140	brown	048702
Label, CHORALE/TREMOLO	103640	ebony	048710
Cork, adhesive	029157	ivory	048728

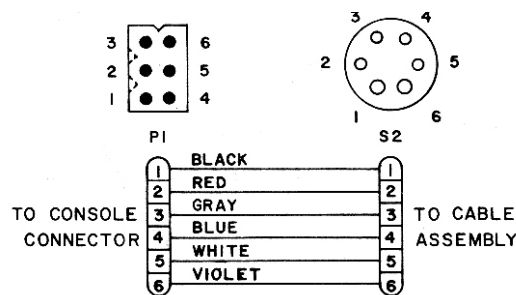


Figure 7. Schematic, 047381 Console Connector Extension (Plug and Socket Shown from Wire End)