

CONSOLE CONNECTOR KIT 7830  
 FOR USE WITH: LESLIE Speaker Model 130  
 Various single and double channel organs

INSTALLATION INSTRUCTIONS

KIT CONTENT

Console Connector	137283	Switch Assembly,	
Cable Assembly,		ECHO/TREMOLO, black	137342
II-conductor, 30-foot	137357	Oiler	053025

Hardware Package 137356

Screw, machine, 10-32 x 1-1/4, Phillips head (4)	137418	Screw, sheet metal, 8 x 1-1/4, Phillips head (4)	137417
Screw, sheet metal, 8 x 1/2, Phillips head (6)	029132	Washer, flat, 8 x 1/2 x 3/64 (10)	015578
Screw, sheet metal, 8 x 3/4, Phillips head (4)	106070	Washer, lock 8 x 5/16 x .020 (2)	026765
Screw, sheet metal, 8 x 1, Phillips head (4)	020735	Clamp, cable	011676

**CAUTION:** Due to the presence of electrical potential and the danger of moving mechanical parts, installation procedures or adjustments requiring work inside the LESLIE speaker cabinet or the organ console should be performed only by service personnel authorized by the dealer or factory to perform such work.

INSTALLATION

**CAUTION:** DISCONNECT ORGAN POWER BEFORE PROCEEDING !

CONTROL MOUNTING (Figures 1, 2)

- 1.** Select a location under the keyboard shelf where the control is to be mounted.
- 2.** The plug on the control cable must pass into the interior of the organ. If no hole is available, use a hole saw to make a 1-inch-diameter hole.

**CAUTION**

Be careful to select a location where no internal component will be damaged when the hole is made.

- 3.** Indicate the control location on the under side of the shelf. Cut out the paper pattern (figure 2) provided in this instruction sheet.
- 4.** Measure the width of the key strip at the place chosen for control mounting. Fold the pattern along the line corresponding to this width. If the keybed is flat (no separate key strip) do not fold the pattern at all.

5. Lay the pattern in position behind the key strip and use a sharp instrument or pencil to scribe the location of the four mounting screws. Start the holes for the screws.

NOTE

Merely break the surface of the wood, as the screws will engage only by a few threads.

6. Put the four leveling screws (flat-headed machine screws) into the holes indicated in figure 2, **WITH THE HEADS UPWARD**. Place the control mounting bracket in position at the location marked for mounting. Adjust each of the four leveling screws so that the control is positioned just below the keybed, and is level. See figure 1.

NOTE

Be sure the control switch handles do not protrude too much.

7. Select one set of four mounting screws which are sufficiently long to fasten the control to the organ.

8. Fasten the mounting screws into the keyboard shelf in the locations previously marked.

9. Route the control cable through the hole prepared for it and through the organ into the area near the back panel.

#### CONSOLE CONNECTOR

1. If the kit is being used with a LESLIE speaker that does not contain an amplifier, lift the brown wire from contact E on strip 2 (see figure 5) and connect it to contact A of the same strip.

2. Choose a location for the console connector in the area of the back panel, or other suitable place where the chassis can be firmly fastened.

3. Connect the black wire to ground.

4. If the organ has two channels, connect the orange and brown wire to one channel, and the yellow and red wires to the other channel speaker as follows:

Disconnect the signal input wire from the organ speaker and connect it to the brown (or red) wire from the console connector. Attach the orange (or yellow) wire from the console connector to the speaker signal input contact.

4A. If the organ has only one channel, select either set of wires, as described above, to connect to the speaker. Wrap the other set, insulating them from contact with each other, and put them aside where they will not make contact with any other electrical part.

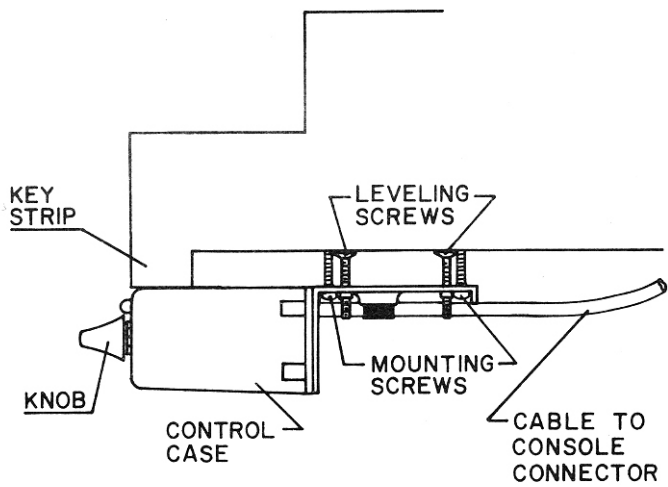


Figure 1. Control Mounted on Organ

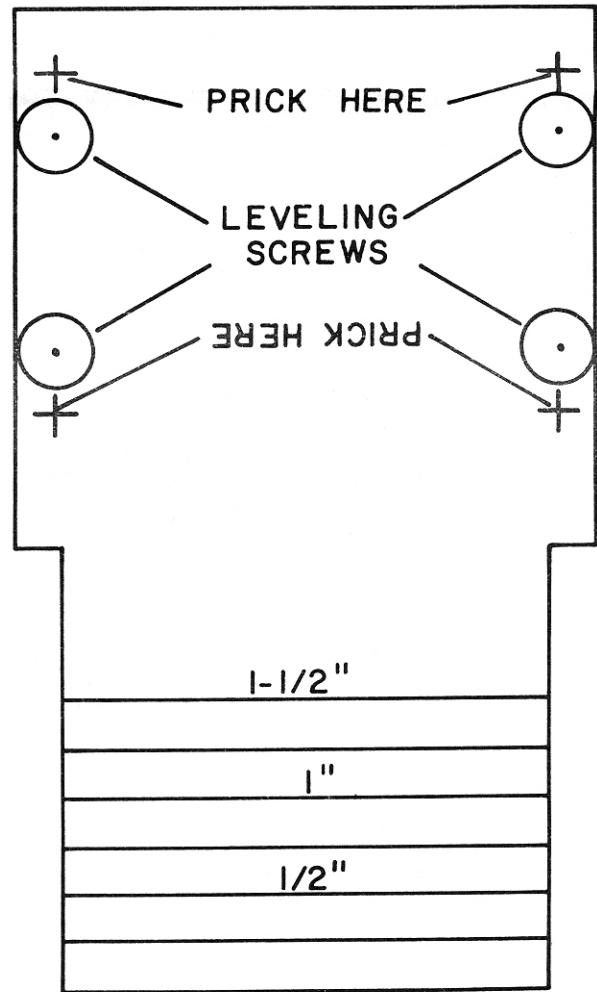


Figure 2. Control Location and Mounting Pattern

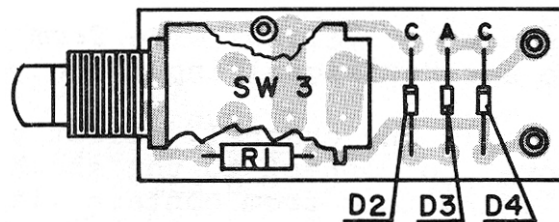


Figure 3. Circuit Board Assembly 137339

Switch, push/push (SW3)	137303
Diode, silicon, 1-amp, 100 PIV (D2, D3, D4)	021154
Diode, light-emitting (D1)	137315
Resistor, 47-ohm, 1/2W, 10% (R1)	016311
Etched Circuit Board	137281

## CONTROLS

The control case, mounted just below the organ keyboard, groups all the controls in one convenient location.

The center **BUTTON**, a push-on, push-off control, is used to actuate the **LESLIE** speaker system. With the button set to off, only the organ speakers operate. With the button set to on (red light glowing) the speakers in the **LESLIE** speaker cabinet are ready to respond.

The **LEFT-HAND TOGGLE SWITCH** may be set for the tremolo (fast) or chorale (slow) effect from the **LESLIE** speaker rotor. Up is tremolo; down is chorale; center is off.

The **RIGHT-HAND TOGGLE SWITCH** is a main-ensemble-echo switch. With the handle set upward the switch is in "main" position; i.e., only the organ speakers sound. With the handle set downward the switch is in "echo" position; i.e., only the **LESLIE** speakers sound. With the handle in its center position the organ and **LESLIE** speakers will play "ensemble"; i.e., both sounding at once.

Any combination of settings may be used, to suit the musical effect desired. It should be remembered that high notes (over 4000 Hz) do not go through the rotor speaker and hence are not affected by the tremolo/chorale switch setting.

The red light will help to remind you to turn the control off when you are through playing your organ.

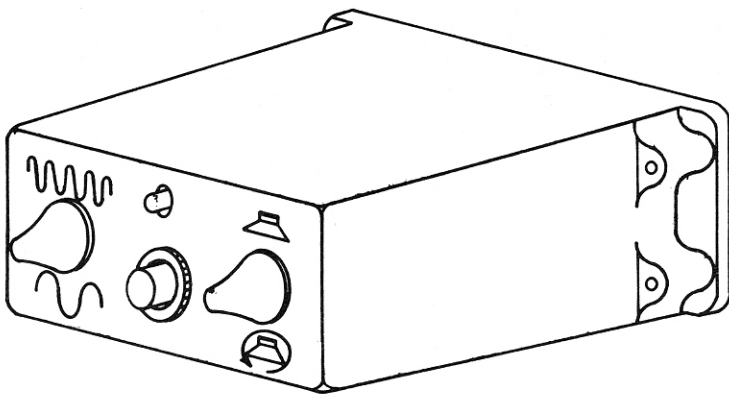


Figure 4. Control Case

### Ordering Parts

Standard hardware, connectors, and electronic components should be purchased locally. Non-standard items may be obtained through a **LESLIE** speaker dealer. Orders should include part numbers as listed.

PARTS LIST: 137283 CONSOLE CONNECTOR ASSEMBLY

Socket, 11-contact (S2)	028852
Housing, socket, 12-circuit, miniature Molex with tabs (S3)	137286
Contact, insert, miniature Molex, female	065581
Connector, tab, AMP, male	029371
Connector, tab, Berg, female	029389
Resistor, wire-wound, 16-ohm, LOW, 10% (R2, R3)	029363
Resistor, wire-wound, 8-ohm, 5W, 10% (R4)	021493
Terminal Strip, 7-lug	117990

PARTS LIST: 137342 SWITCH ASSEMBLY

Switch and Cable Assembly	137340
Case	137282
Clamp, cable	137365
Knob, switch, white	137291
Nut, knurled	132430
Cork, adhesive	137419

PARTS LIST: 137340 SWITCH AND CABLE ASSEMBLY

Circuit Board Assembly	137339
Switch, lever, 3-position (TREMOLLO) (SW2)	137304
Switch, lever, 3-position (ECHO) (SW1)	137305
Housing, plug, miniature Molex, 12-circuit, natural (white) (P3)	101310
Contact, insert, miniature Molex, male	065599

PARTS LIST: 137357 CABLE ASSEMBLY

Plug Assembly, 11-pin (with screw) (P2)	137299
Plug, 11-pin, modified	137296
Package, plug cap and screws (order for repair use) (contains plug body sections, screws, and tubing)	137457
Socket, 11-contact (S1)	137297

## WIRING CHART

S2, pin 1	brown	STRIP 2, point E*
S2, pin 5	green	S3, pin 5
S2, pin 6	blue	S3, pin 6
S2, pin 7	violet	S3, pin 7
S2, pin 8	gray	S3, pin 8
S2, pin 4, 2 & 3	yellow	STRIP 2, point B
S3, pin 1	brown	STRIP 2, point D
S3, pin 2	red	STRIP 1, point H
S3, pin 3	orange	STRIP 1, point G
S3, pin 4	yellow	STRIP 1, point J
S3, pin 9	white	STRIP 2, point A
S3, pin 10	black	STRIP 1, point K
STRIP 1, point G	orange	end free
STRIP 1, point H	red	end free
STRIP 1, point J	yellow	end free
STRIP 2, point B	black	end free
STRIP 2, point D	brown	end free
STRIP 2, point E	bare	STRIP 1, point F
STRIP 2, point A	R2**	STRIP 2, point E
STRIP 1, point F	R3**	STRIP 1, point K
STRIP 2, point B	R4**	STRIP 2, point E

\*For use with LESLIE speakers which do not have an amplifier, connect this brown wire to STRIP 2, point A

\*\*Mount resistors in center contacts of terminal strips.

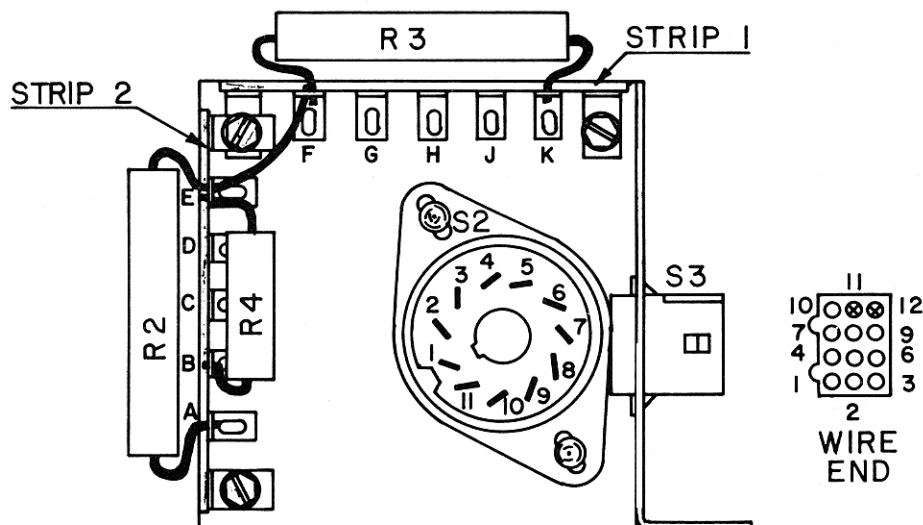


Figure 5. Console Connector Wiring Locations

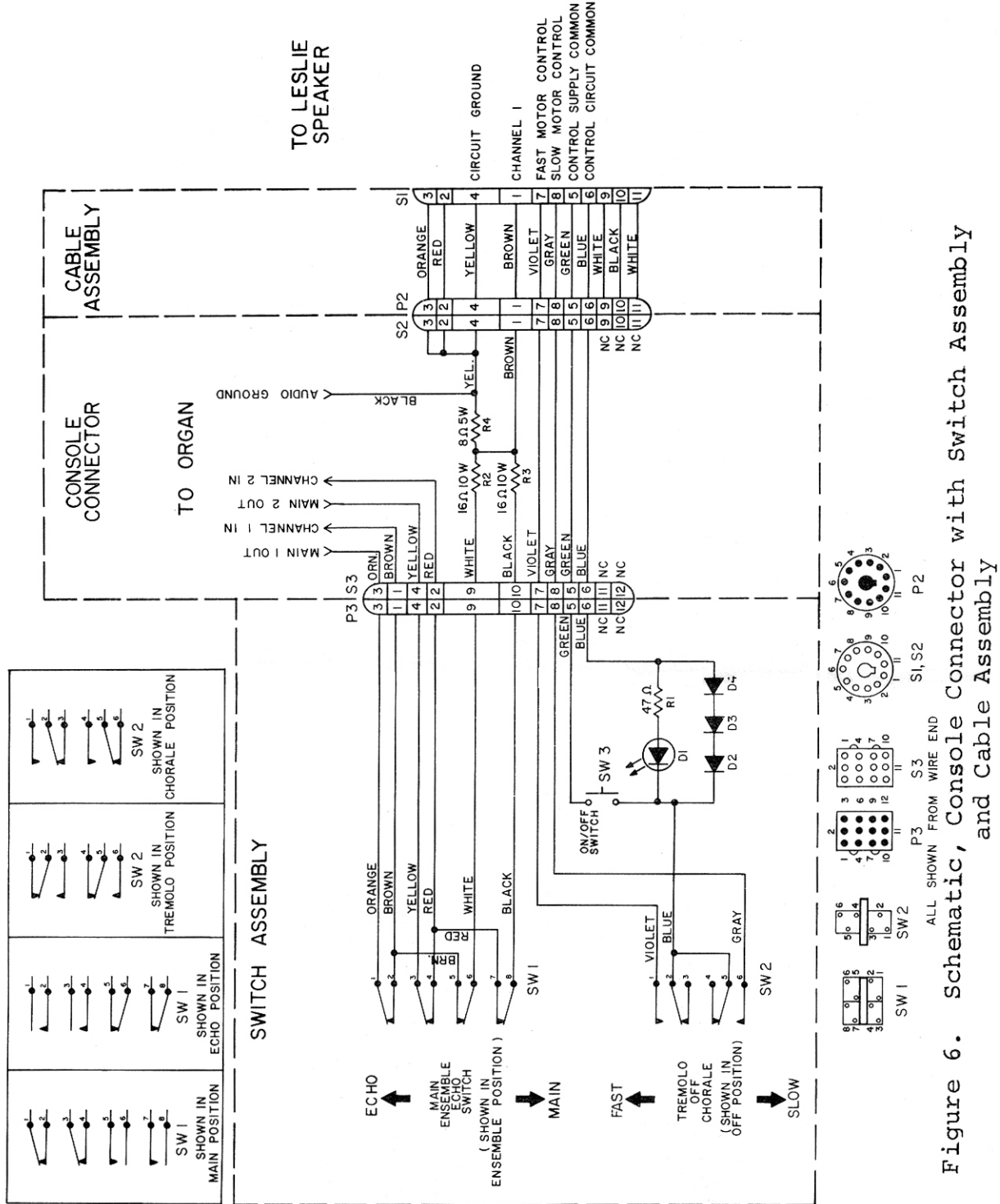


Figure 6. Schematic, Console Connector with Switch Assembly and Cable Assembly