

CONSOLE CONNECTOR KIT 7415 INSTALLATION INSTRUCTIONS

FOR USE WITH: Lowrey Organ Model TLOK-S
LESLIE Speaker Models 700,710

KIT CONTENT

Console Connector Assembly	113990	Echo Control	
Cable Assembly, 9-conductor, 30-ft.	021600	brown	042200
Screw, sheet metal, 8 x 1/2, Phillips head	029132	ebony	042218
Screw, wood, 6 x 1/2, Phillips head	029124	ivory	042226
Staple, insulated	028464		
Oiler	053025		
Installation Instructions	114070		

CAUTION: Due to the presence of electrical potential and the danger of moving mechanical parts, installation procedures or adjustments requiring work inside the LESLIE speaker cabinet or the organ console should be performed only by a service man authorized by the dealer or factory to perform such work.

INSTALLATION

CAUTION: DISCONNECT ORGAN POWER BEFORE PROCEEDING!

1. Mount the echo switch under the keybed.
2. Remove the screws that hold the mike input plate for the tape recorder, under the keyboard, at the left. (The plate will not come all the way off.)
3. Thread the switch cord through the opening behind the plate and through the organ to the side of the built-in tremolo unit.
4. Refasten the plate.
5. Mount the console connector on the side of the built-in tremolo unit.
6. Plug the echo switch into the console connector.
7. Remove the plug from the socket marked A (see figure) on the organ amplifier. Connect this plug to the socket of the interceptor. Connect the interceptor plug to socket A.
8. Connect console connector plug P1 to the socket marked ECHO FOR LESLIE 45A or 47, on the organ amplifier (detail A).

PARTS LIST: 021600 CABLE ASSEMBLY

Plug Assembly, 9-pin	061879
Socket, 9-contact	028837
Cap, body	022046
Clamp, cut	022079
Screw, machine, 6-32 x 3/8	027979

PARTS LIST: 042192 SWITCH, CABLE & PLUG ASSEMBLY

Housing, plug, 4-circuit	042101
Lever, switch, 3-position	010249
Insert, contact, male	023309

Ordering Parts

Standard hardware, connectors, and electronic components should be purchased locally. Non-standard items may be obtained through a LESLIE speaker dealer. Orders should include part numbers as listed.

PARTS LIST: 113990 CONSOLE CONNECTOR ASSEMBLY

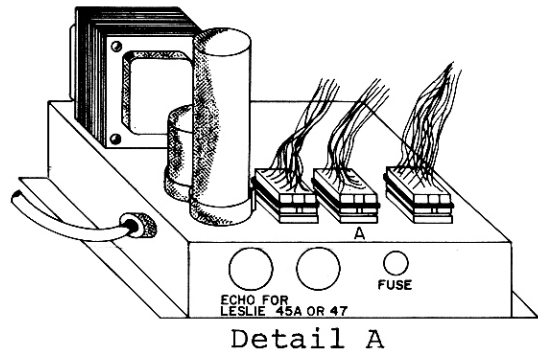
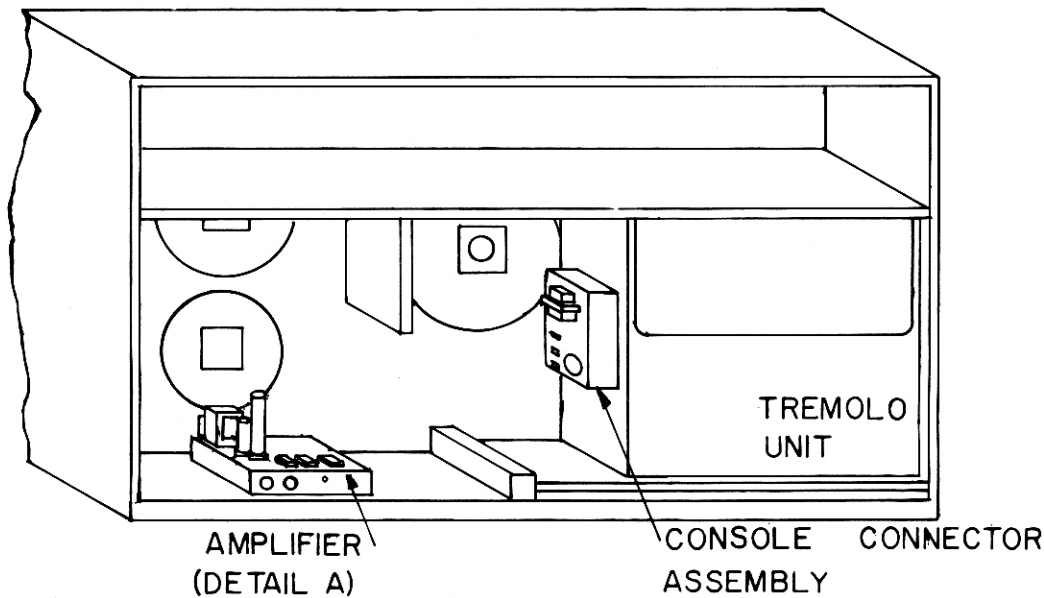
Circuit Board Assembly	114000
Nut, hex, 8-32 x 11/32 x 1/8	026773
Washer, lock, 8 x 5/16 x .020	026765
Washer, flat, 8 196 x .312 x .625	055079
Screw, machine, 8-32 x 1-1/8	027375
Cable & Plug Assembly, 6-pin, 24-in.	114010
Plug, 6-pin	061721
Interceptor Assembly, Amp, 12-circuit, 22-in.	114030
Housing, plug, 12-circuit, Amp	114080
Housing, socket, 12-circuit, Amp	114090
Housing, socket, 4-circuit, Molex	042093
Insert, contact, Inline, Amp, male	010421
Insert, contact, Inline, Amp, female	010397
Insert, contact, Inline, Molex, female	023556
Can, lamp housing	023184
Cover, chassis	061960
Socket, 9-contact, with mounting plate	061713
Screw, sheet metal, 12 x 3/8, Phillips head	029314
Stud, Trimount	012690

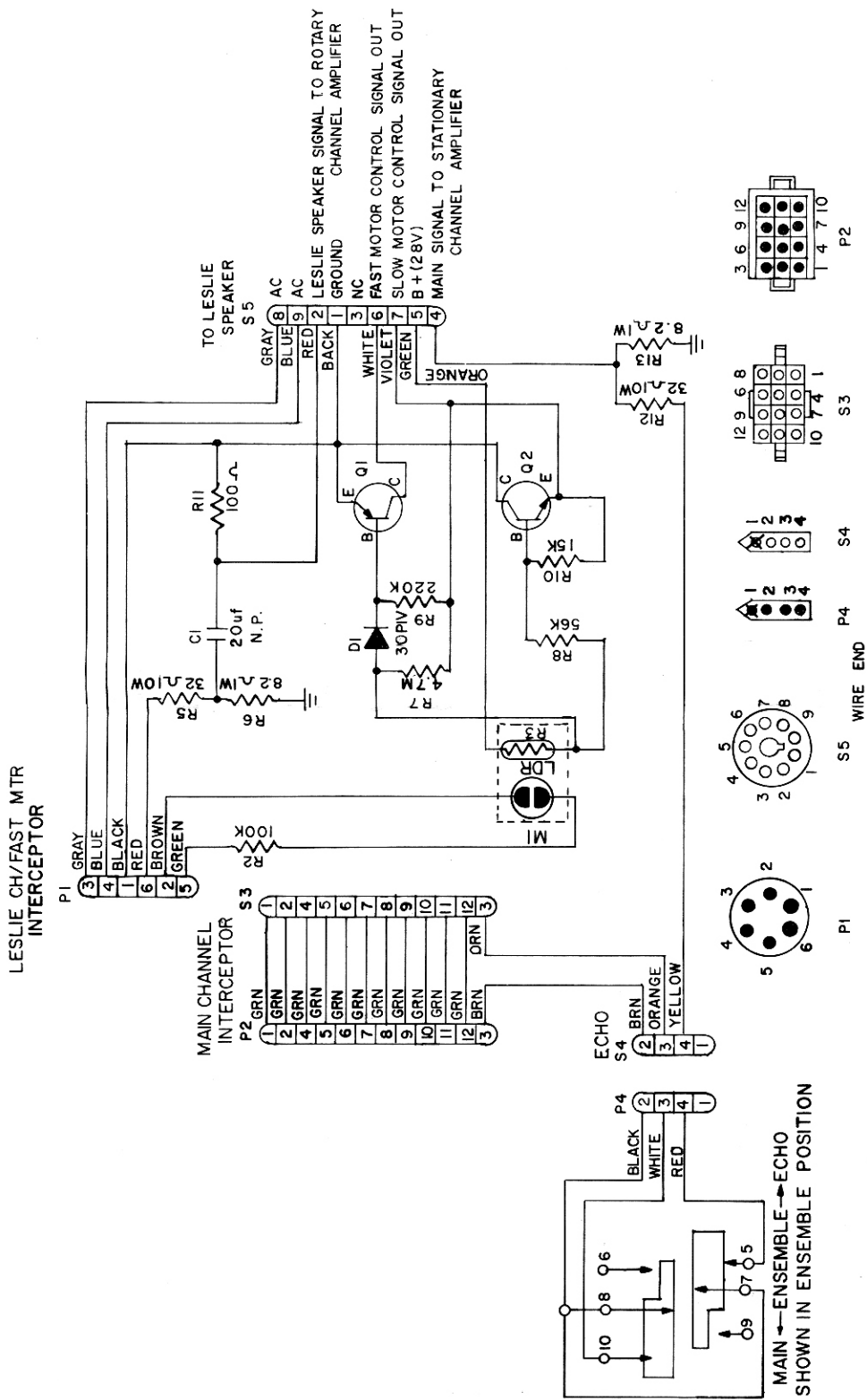
PARTS LIST: ECHO CONTROL

Switch Case		Switch, Cable, & Plug	
brown	103750	Assembly	042192
ebony	103760		
ivory	103770	Switch Retainer (2)	048116
Case Cover		Screw, thread-cutting,	
brown	048702	6-32 x 3/8	029140
ebony	048710		
ivory	048728	Label, MAIN/ENSEMBLE/ECHO	103670
Switch Knob			
brown	048066		
ebony	048074		

MULTIPLE SPEAKER INSTALLATION

For complete information see the service manual for the LESLIE speaker to be added.





Schematic, Console Connector Assembly Part No. 113990