

# CONSOLE CONNECTOR KIT 7281 INSTALLATION INSTRUCTIONS

FOR USE WITH: HAMMOND T-500 Organs

LESLIE Speaker Models 110, 120, 125, 145, 147, 225, 247

## KIT CONTENT

Console Connector Assembly	012617	<u>Tremolo Control</u>	
Console Adapter	109140	brown	012625
Cable Assembly, 6-conductor, 30-foot	017277	ebony	012633
Hardware Package	045989	ivory	012641
Screw, wood, 6 x 1/2,		<u>Echo Control</u>	
Phillips head (4)	029124	brown	029397
Screw, sheet metal, 8 x 1/2,		ebony	029405
Phillips head (2)	029132	ivory	029413
Staple, insulated (8)	028464	Oiler	053025

## - CAUTION

Due to the presence of electrical charges and the danger of moving mechanical parts, installation procedures or adjustments requiring work inside the LESLIE speaker cabinet or the organ console should be performed **ONLY BY** a service man authorized by the dealer or factory to perform such work.

## INSTALLATION

**CAUTION: DISCONNECT ORGAN POWER BEFORE PROCEEDING!**

1. Mount the echo and tremolo control switches to the wooden rail in front of the lower manual, using the wood screws provided.
2. Route the control cables under the lower manual, through the keyboard shelf, and into the amplifier section of the console. If no opening is provided, drill a 7/8" hole in the keyboard shelf just under the lower manual.
3. Mount the console connector chassis inside the console within reach of the adapter and control cables, using the wood screws provided.
4. Plug the echo and tremolo control cables into the proper sockets on the connector chassis.
5. Remove the GREEN wire connecting the headphone jack to the console speakers and connect it to the RED adapter wire (A). Insulate with the plastic sleeve provided.
6. Connect the GREEN adapter wire to the terminal previously occupied by the green headphone jack wire (B).

7. Insert the adapter plug into the socket on the rear apron of the console amplifier.
  8. Fit the adapter socket on the plug marked CONSOLE, on the connector chassis.
  9. Plug the LESLIE speaker cable into the socket marked LESLIE SPEAKER, on the connector chassis.
  10. Set the speaker load resistor to the 8-0HM position as outlined in the LESLIE service manual.
  11. Adjust speaker volume as outlined in the LESLIE service manual.
- The installation is now complete.

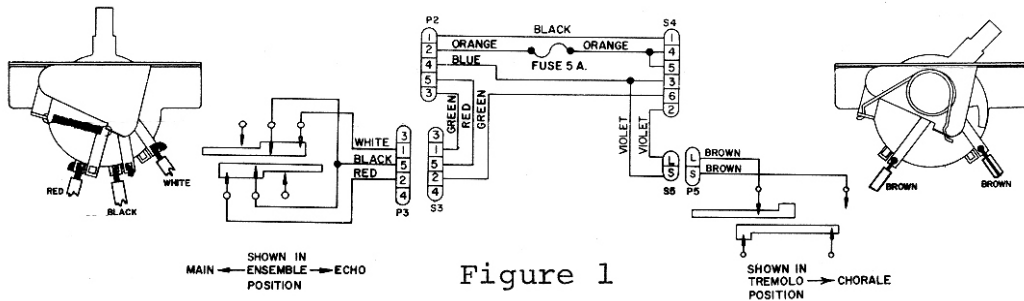


Figure 1

SWITCH POSITION	CONTACTS MADE
ECHO	RED/BLACK
ENSEMBLE	RED/BLACK; WHITE/BLACK
MAIN	WHITE/BLACK

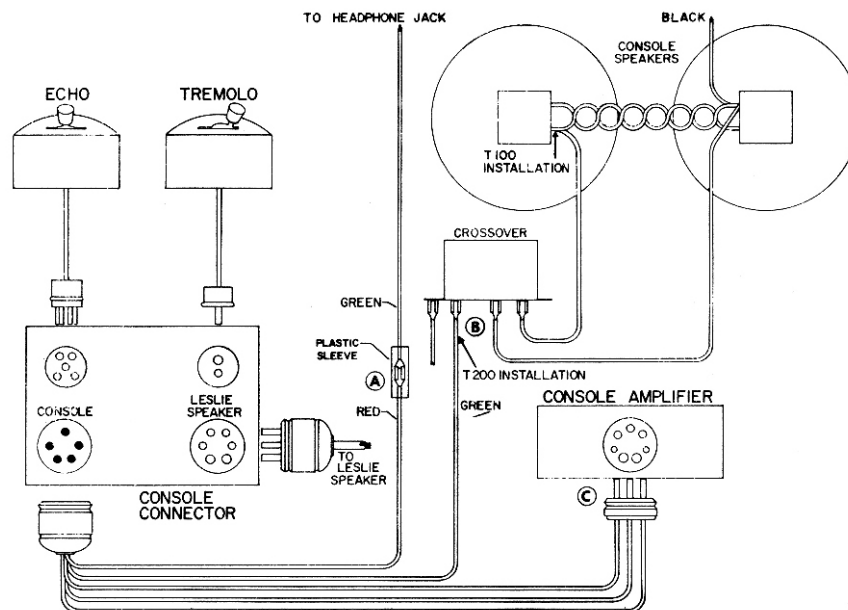


Figure 2. Interconnections

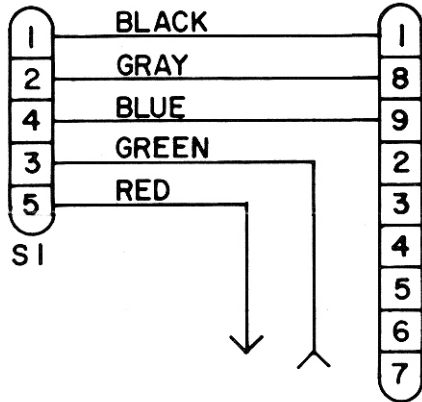
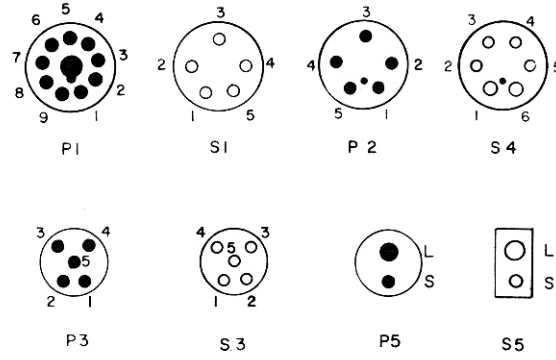


Figure 3.



P1 109140 Console Adapter

Figure 4.

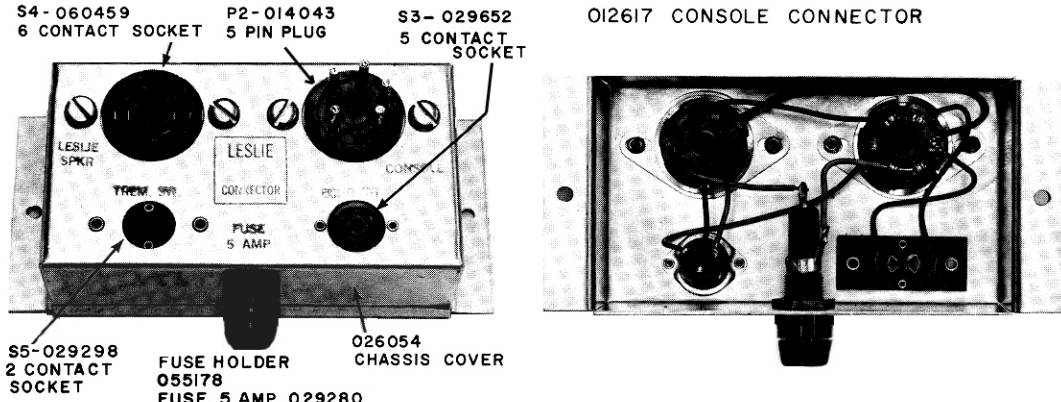


Figure 5. 012617 Console Connector

### Ordering Parts

Standard hardware, connectors, and electronic components should be purchased locally. Non-standard items may be obtained through a LESLIE speaker dealer. Orders should include part numbers as listed.

### PARTS LIST

Fuseholder	055178	P1 Plug, 9-pin	024653
Fuse	029280	S1 Socket, 5-contact	029264
Chassis Cover	026054	S1 Cap	013136
Chassis	012674	Tab, female	029389
S3 Socket, 5-contact	029652	Tab, male	029371
P2 Plug, 5-pin	025437		
S4 Socket, 6-contact	060459	S5 Socket, 2-contact	029298

## ECHO CONTROL

Echo Switch Case	
brown	103750
ebony	103760
ivory	103770
Switch Case Cover	
brown	048702
ebony	048710
ivory	048728
Switch Knob	Switch Knob
brown	048066
ebony	048074
Switch Retainer (2)	048116
Switch Only	010249
5-pin Plug	021238

## TREMOLO CONTROL

Tremolo Switch Case	
brown	103750
ebony	103760
ivory	103770
Switch Case Cover	
brown	048702
ebony	048710
ivory	048728
brown	048066
ebony	048074
Switch Retainer (2)	048108
Switch Only	042911
2-pin Plug	029165

## PARTS LIST: 017277 CABLE ASSEMBLY

Plug, 6-pin	061721
Socket, 6-pin	029546
Cap Body	022046
Clamp, cut	022079
Screw, machine, 6-32 x 3/8	027979

## MULTIPLE SPEAKER INSTALLATION

For complete information, see the service manual for the LESLIE speaker to be added.